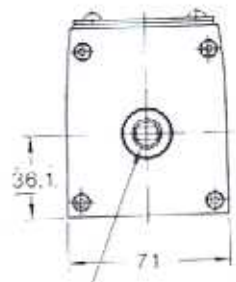
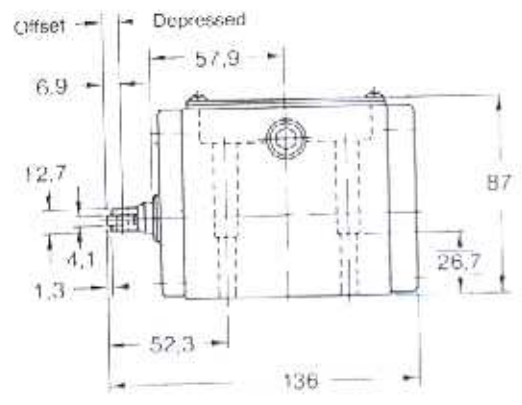
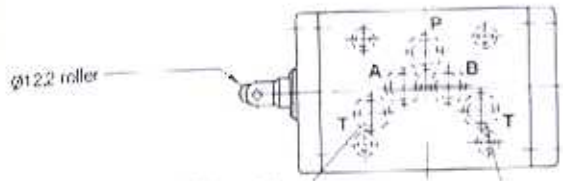


Note: For new applications use DG4V-5 valves (leaflet V-632) instead of DG4S*-01 models

DG2S*-012A models



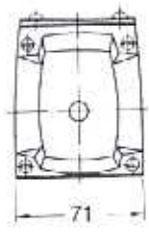
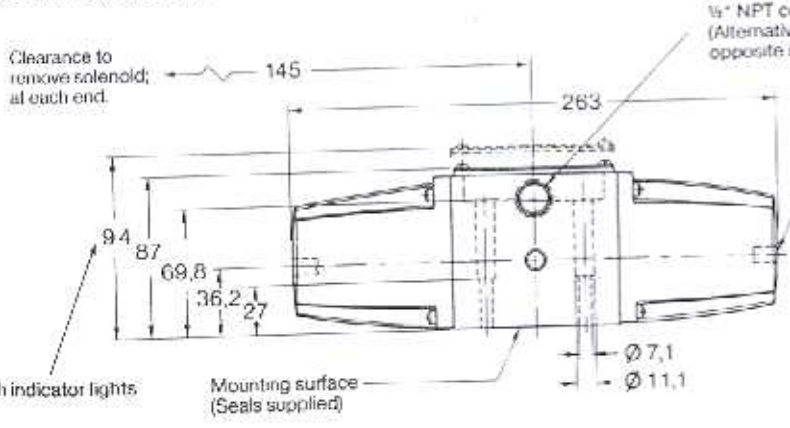
For valves with roller at 90° C from position shown, add 'S/R' suffix at end of model designation.



Normal drain port for DG2S2 models
Normal tank port for DG2S4 models

Additional drain or tank port. For optional use; when not required, port can be blocked by the mounting surface or in the subplate.

DG4S*-01*C/N and DG4S*L-01*C/N models



With indicator lights

Mounting surface (Seals supplied)

Ø 7,1
Ø 11,1

Manual override, both ends

Solenoid 'b' for all but the 'B' spool; Solenoid 'a' for the 'B' spool

Solenoid 'a' for all but the 'B' spool; Solenoid 'b' for the 'B' spool

Normal drain port for DG4S2 models
Normal tank port for DG4S4 models

Additional drain or tank port. For optional use; when not required, port can be blocked by the mounting surface or in the subplate.