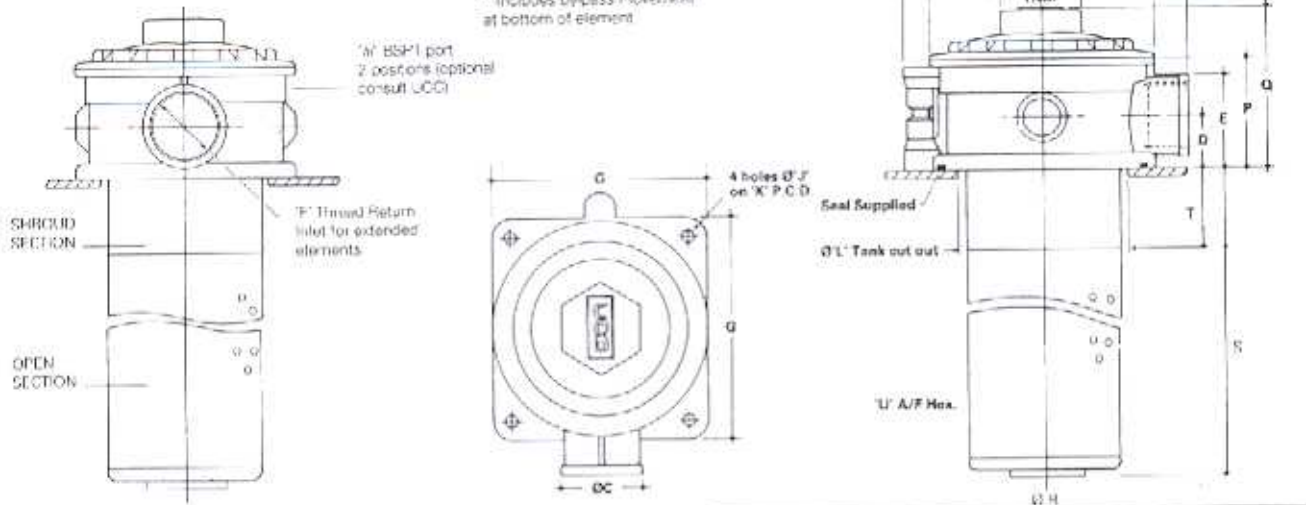


SIZE 3 - EXTENDED ELEMENTS (RETURN LINE ONLY) INSTALLATION DETAILS

Element length details (mm)

Dimension	Length 2	Length 3
S*	242	483

* Includes bypass movement at bottom of element

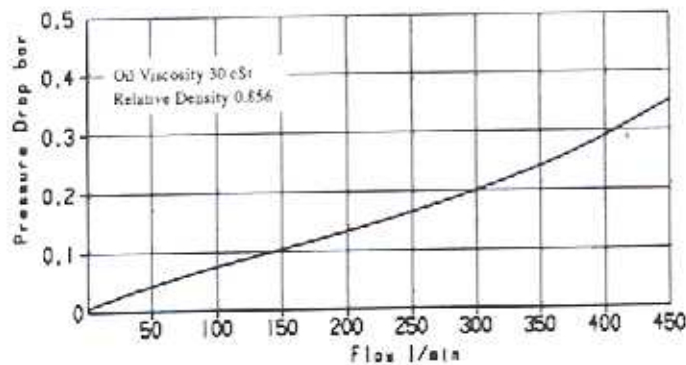


size	A mm	B mm	C mm	D mm	E mm	F Port thread	G mm
3	137	90	52	32	58	G1/4	137

Size	J mm	K mm	L mm	M mm	P mm	Q mm	R mm	T mm	W mm
3	9	160	100	50	70	101	95	97	85

SIZE 3 - EXTENDED ELEMENTS FILTER SELECTION

Length 2 Filter housing pressure drop (Δp) against flow curves



Length 2 Element pressure drop (Δp) against flow curves

