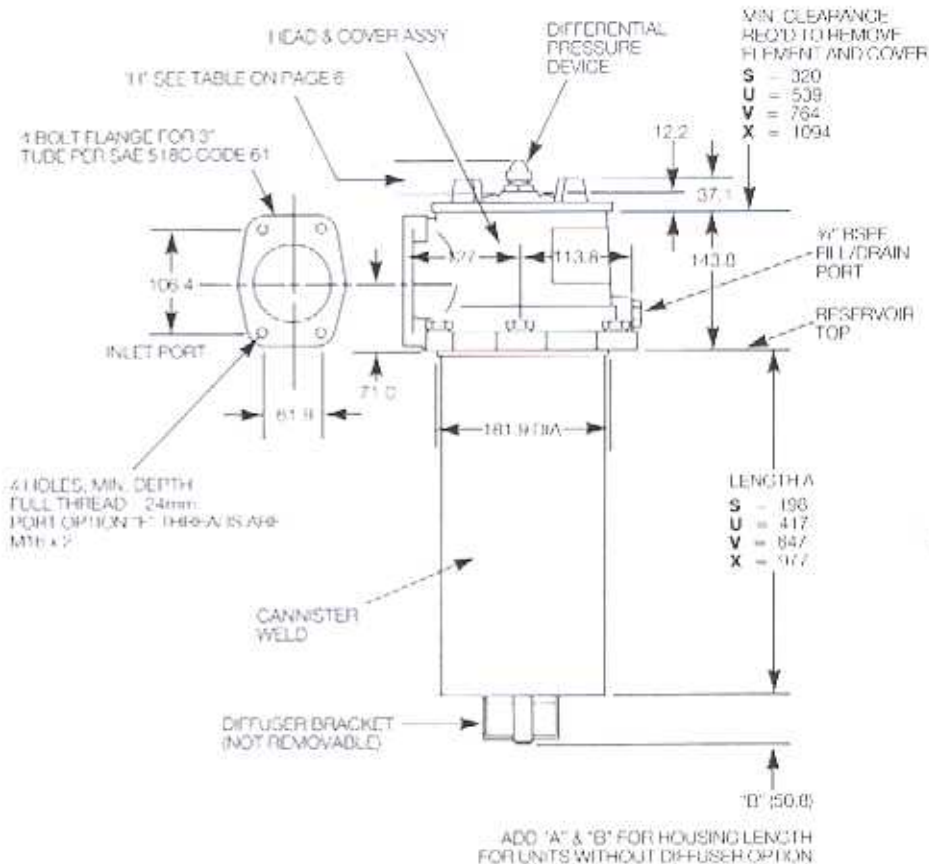


Operating pressure 10 bar.

10 bar collapse rated elements.

Compatible with all petroleum oils, water glycols, water-oil emulsions and most synthetic hydraulic and lubrication fluids.

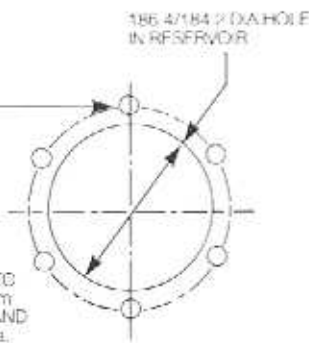
All dimensions in mm unless otherwise stated.



Mounting dimensions

6 FASTENING LOCATIONS EQUISPACED ON 225.4 P.C.D. CLEARANCE HOLES IN FILTER HEAD ARE 10.3 DIAMETER

MOUNTING SURFACE TO BE FLAT WITH IN 0.25mm AND FREE OF MARKS AND SCRATCHES WITHIN Ra_a μm 2.5



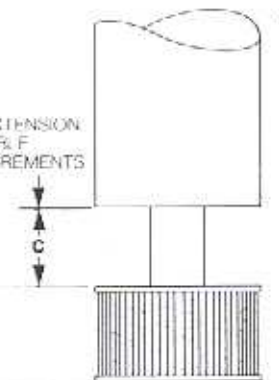
Diffuser dimensions

ADD 'A' & 'C' & 'D' FOR FULL IN-TANK LENGTH WITH DIFFUSER INSTALLED

DIFFUSER EXTENSION KITS AVAILABLE IN 25mm INCREMENTS

8420 DIFFUSER LENGTH ("D")

S = 64
U = 147
V = 216
X = 216



Removal ratings

Multi-pass Filtration Ratings per ANSI/NFPA T3.10.8.8RI and ISO4572 modified for Silt Control with In-line Particle Counting

Filter Media	Micrometre Size for Beta (βx) values				Filtration Ratio			Terminal ΔP bar
	βx=2	βx=20	βx=75	βx=200	β2	β10	β20	
KZ	<1	<1	<1	<1	>3000	>3000	>3000	4
KP	<2	<2	2.2	3	60	>3000	>3000	4
KN	<2	2.7	4.6	6	12	>3000	>3000	4
KS	7	7	9.9	12	2	80	>3000	4
KI	10	18	22	25	NA	2	40	4

For the application of 1.0 micron β2 filter for bushing in a system rated for a β2x1000 rating at the critical particle size to meet β2x1000 rating media are rated KZ<1, KP=5.3 and KN=6.3 micrometres at β2x1000