

Variable Volume Piston Pumps

Series PV032/040/046

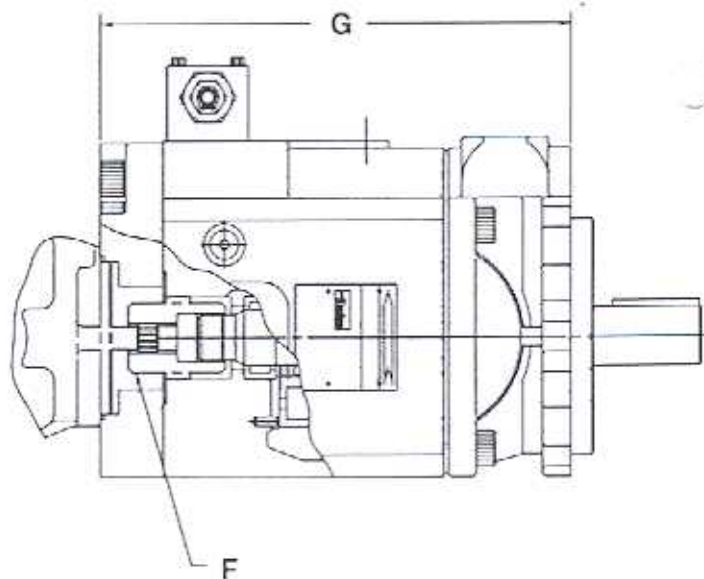
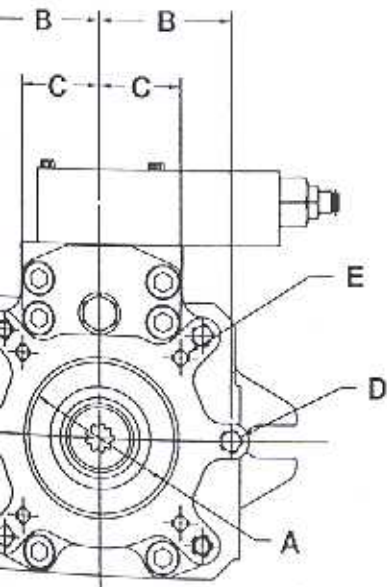
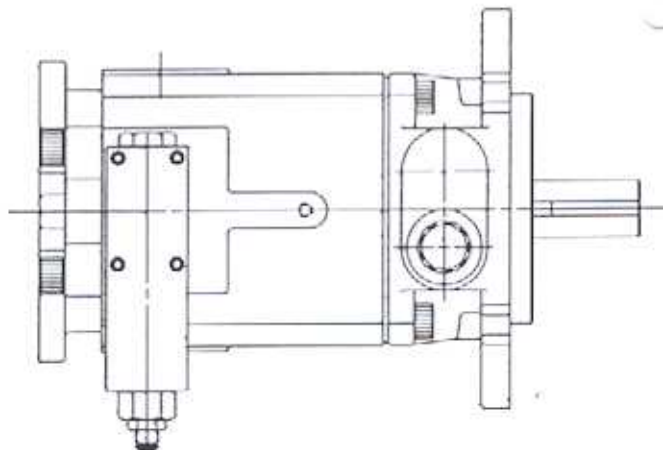
Technical Information

Options — Thru-Shaft Options

Equivalents for inch dimensions are shown in (**)

Shaft	A	B	C	D	E	F	G
	3.251/3.253 (82.58/82.63)	2.094 (53.19)	N/A	3/8-16 UNC	—	9 Tooth 16/32 Pitch	10.28 (261.1)
	4.001/4.003 (101.63/101.68)	2.875 (73.03)	1.786 (45.36)	1/2-13 UNC	3/8-16 UNC	13 Tooth 16/32 Pitch or 15 Tooth 16/32 Pitch	10.28 (261.1)
	5.001/5.003 (127.03/127.08)	3.562 (90.50)	2.244 (57.00)	5/8-11 UNC	1/2-13 UNC	14 Tooth 12/24 Pitch	10.91 (277.1)

A



Hydraulic Pump/Motor Division
Otsego, MI 49078



Variable Volume Piston Pumps

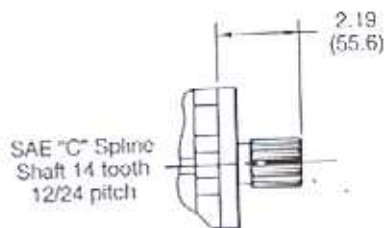
Series PV032/C 0/046

Technical Information

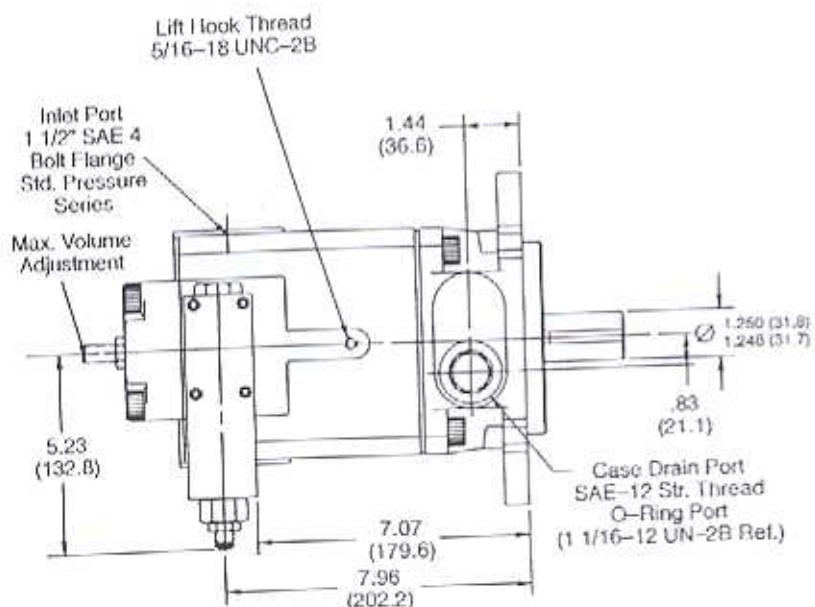
Dimensions — Standard

Millimeter equivalents for inch dimensions are shown in (")

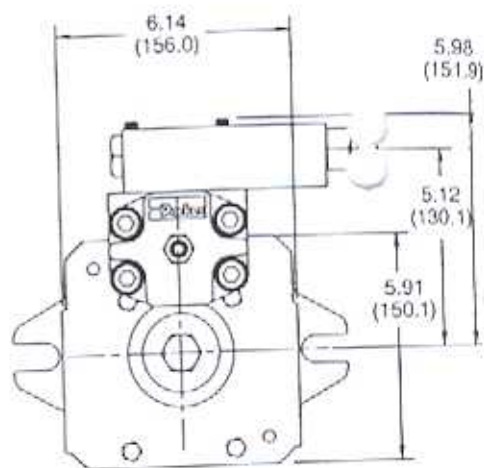
- Notes:
1. Pump shown is a clockwise rotation pump. For counter-clockwise rotation the inlet and outlet ports will be reversed with the gauge and drain ports on the outlet side.
 2. Pump shown with standard pressure compensator (P*S).



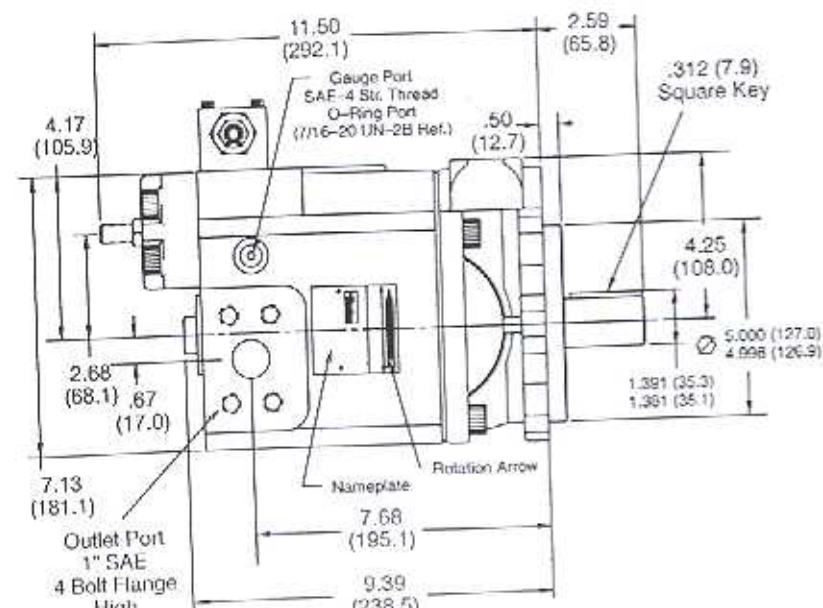
Splined Shaft



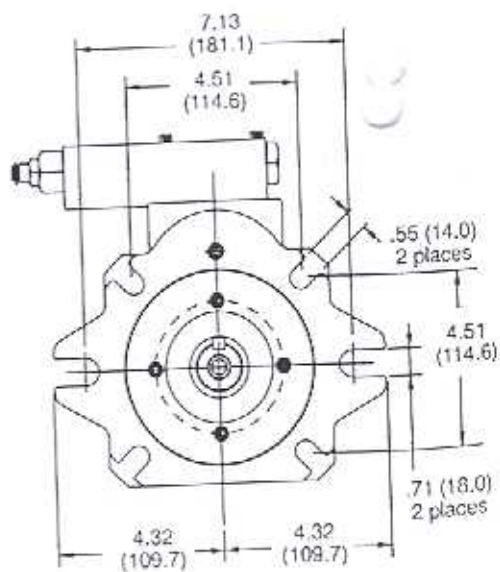
Top View



Rear View



Side View



Front View

For additional information – call your local Parker Fluidpower Motion & Control Distributor.