

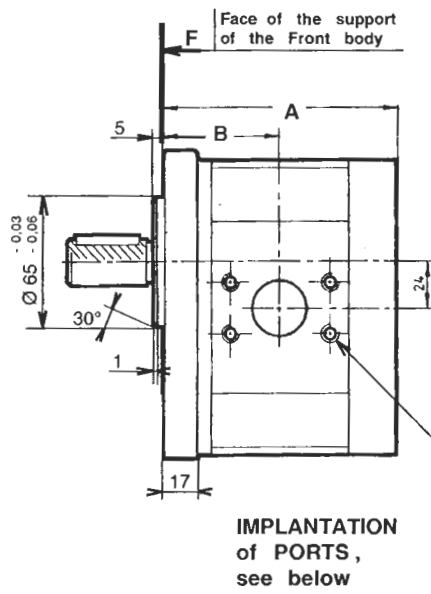
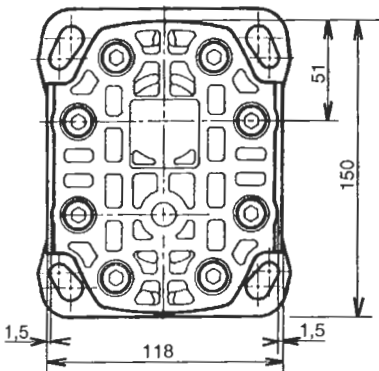
**P** II Sign **CBN** **3** VI Sign **HL** IX Sign X Sign XI Sign XII Sign

For CODIFICATION , see data sheet F.T R 0149

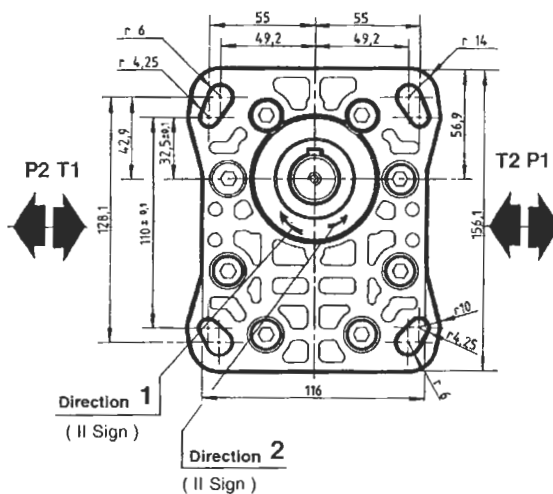


Tel : ( 33 )  
01 49 62 28 00  
Fax : ( 33 )  
01 45 76 68 40

N : Nitrile  
V : Viton



IMPLANTATION of PORTS, see below



CHOICE of the CAPACITY (VI Sign)	Dimensions	
	A	B
020 025 031 040	122,7	61,3
050 060	149,2	74,5
071 080 090 100	169,2	84,2

CHOICE of DRIVING SHAFTS	
20 (IX - X Sign) C04 (XI Sign)	40 (IX - X Sign) C04 (XI Sign)
<p>Maxi transmissible torque</p> <p><b>32 m.daN</b></p>	<p>Maxi transmissible torque</p> <p><b>28 m.daN</b></p>

IMPLANTATION of PORTS (VII Sign)	Capacity (VI Sign)	INLET (T)		OUTLET (P)		CATALOGUE N° 70 Ref. of RECOMMENDED FLANGES (for speed 1500 rev / min)			
		ØC	D	E	ØC	D	E	INLET (T)	OUTLET (P)
		<b>H</b> (HPI)	020 to 040	28	52,4	26,2	18	52,4	26,2
<b>M8</b> effective depth 16	050 - 060	42	35,6	69,8	22	52,4	26,2	3050 1" 1/4 BSP 3060 N: 3.500492 - V: 3.505066	1" BSP N: 3.500072 - V: 3.505060
	071 to 100	42	35,6	69,8	22	52,4	26,2	3071 1" 1/2 BSP 3080 N: 3.500493 - V: 3.505067 3090 1" 1/2 BSP 3100 N: 3.500493 - V: 3.505067	1" BSP N: 3.500072 - V: 3.505060 1" 1/4 BSP N: 3.500103 - V: 3.505061