


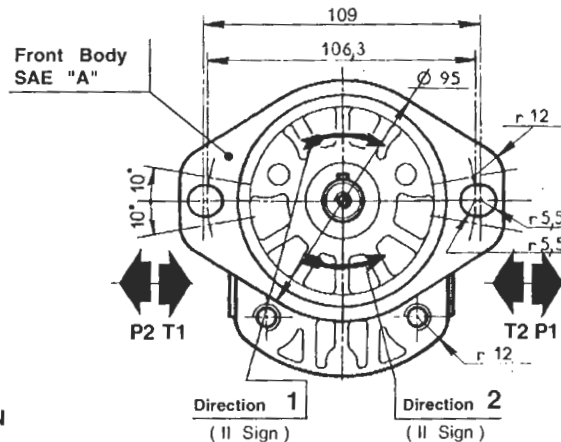
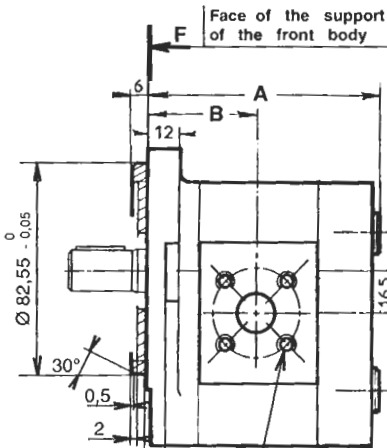
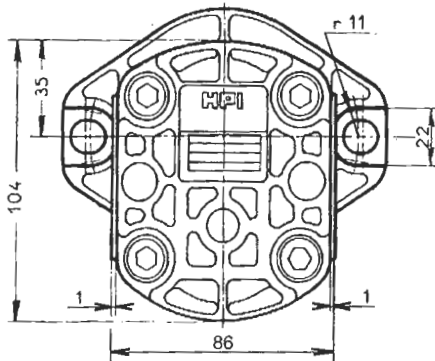
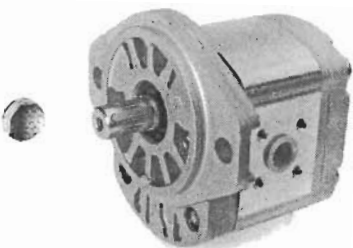
P II Sign **AA** N 2 VI Sign **CL** IX Sign X Sign XI Sign XII Sign

For CODIFICATION, see data sheet F.T.R 0149



Tel : (33)
01 49 62 28 00
Fax : (33)
01 45 76 68 40

N : Nitrile
V : Viton



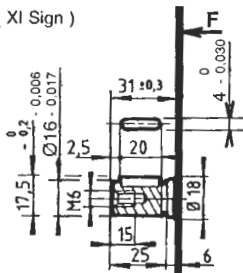
IMPLANTATION of PORTS, see below

CHOICE of the CAPACITY (VI Sign)	Dimensions	
	A	B
004 - 006 - 008 - 010 - 012	92,5	43,5
015 - 018 - 022	107	51
026 - 030	123	59

Autres IMPLANTATIONS des ORIFICES (VII Sign)	see data sheets
	H
F	F.T 20 215

CHOICE of DRIVING SHAFTS

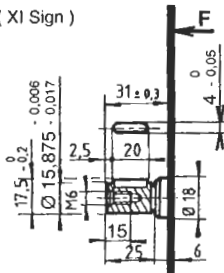
20 (IX - X Sign)
C02 (XI Sign)



Maxi transmissible torque

5 m.daN

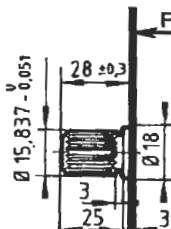
20 (IX - X Sign)
A01 (XI Sign)



Maxi transmissible torque

5 m.daN

30 (IX - X Sign)
A01 (XI Sign)

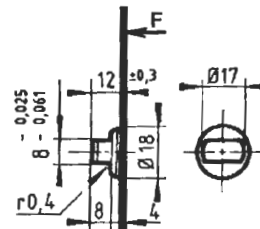


Involute spline to SAE "A"
Standard - 9 theet -
Pitch 16/32 - Flat root
30° Pressure angle

Maxi transmissible torque

10 m.daN

40 (IX - X Sign)
C03 (XI Sign)

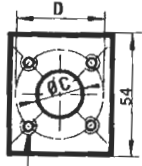


Maxi transmissible torque

7 m.daN

Dimension readings and approximative characteristics subject to modifications.

F.T 20 214 1/2

IMPLANTATION of PORTS (VII Sign)	Capacity (VI Sign)	INLET (T)			OUTLET (P)			CATALOGUE N° 70 Ref. of RECOMMENDED FLANGES (for speed 1500 rev/min)	
		ØC	D	E	ØC	D	E	INLET (T)	OUTLET (P)
C (Square) M6 effective depth 12 	004 to 030	20	40		15	35			