

## Technical Information

Operating pressure 420 bar.

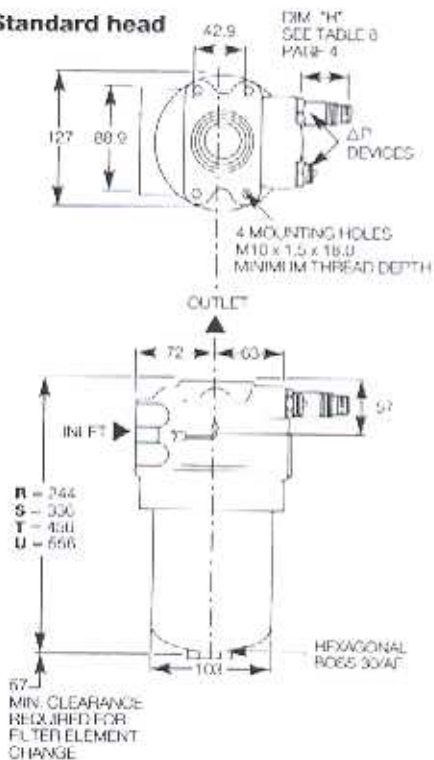
20 bar collapse rated elements with bypass valves.

210 bar collapse rated elements without bypass valve.

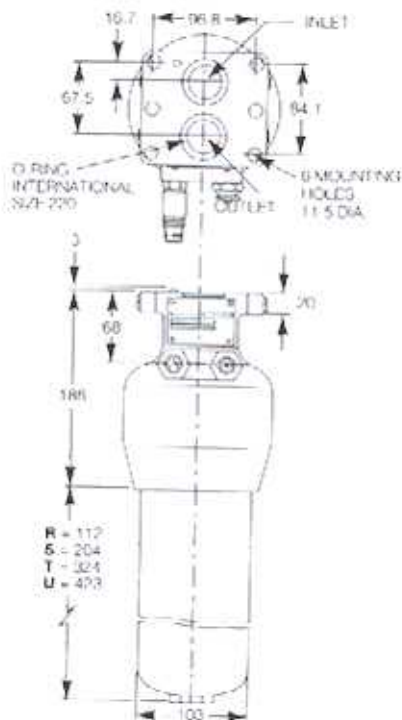
Compatible with all petroleum oils, water glycols, water-oil emulsions and most synthetic hydraulic and lubrication fluids.

All dimensions in mm, unless otherwise stated.

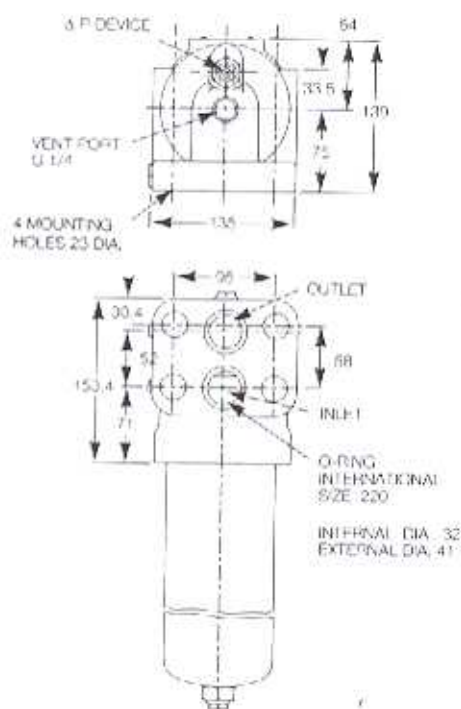
### Standard head



### "K" head option

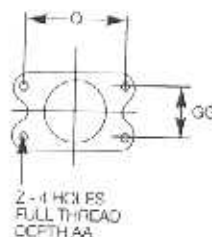


### "S" head option



### Flange mounting bolt dimensions (per SAE 518c)

Part P/N Code	Nominal Pipe Size	Maximum Recommended Pressure	GG	Q	Z Thread	AA Min
F20	1 1/2"	210 bar	30.2mm	56.7mm	M12 x1.75	19mm
F24	1 1/2"	210 bar	35.7mm	69.9mm	M12 x1.75	19mm
G20	1 1/2"	420 bar	31.8mm	66.7mm	M14 x2	19mm



Z - 4 HOLES FULL THROAT CCPTH AA

### Removal ratings

Multi-pass Filtration Ratings per ANSI/NFPA T3.10.8.8RI and ISO4572 modified for Silt Control with In-line Particle Counting									
Filter Media	Micrometre Size for Beta (βx) values				Filtration Ratio			Terminal ΔP bar	
	βx=2	βx=20	βx=75	βx=200	β2	β10	β20		
9500	KZ	<1	<1	<1	<1	>3000	>3000	>3000	4
	KP	<2	<2	2.2	3	60	>3000	>3000	4
	KN	<2	2.7	4.0	5	12	>3000	>3000	4
	KS	2	7	9.9	12	2	60	>3000	4
	KT	10	18	22	25	NA	2	40	4
3900	DP	<2	<2	2	3	75	>3000	>3000	16
	US	2	5.9	7.9	10	2	200	>3000	16
	UT	5.5	11	15	17	NA	12	600	16

For the application of Ultrafil® filters for flushing it is recommended that a filter 1000 rating at the critical particle size is used. Flushing media are rated KZ=1, KP=5.3 and KN=0.3 micrometres at (βx)1000.